



Guangdong Jinquan Medical Technology Co., Ltd.

ROOM 2001, Building C, No.2, Gongye 4th Road, Xitou community,
Songgang street, Bao'an district, Shenzhen, Guangdong, China.
Tel: +86 755 23728193 Fax:+86 755 23728195

Manual Book

Laser Cassette Printer

JQ-EMR560P

JQ-EMR560

JQ-EMR830

JQ-EMR840

Version 3.0

Intended Use

Jinquan Laser Cassette Printer (hereafter in as Printer) is an instrument for hospitals and/or research institutes to label tissue embedding cassettes, to identify, sort, trace, retrieve, to store the relevant specimens, as part of a bar-code based workflow management system.

The Printer offers permanent indelible marking on tissue embedding cassettes with texts, linear and 2-dimensional barcodes, and logos throughout the life span of the cassettes.

For In-Vitro Diagnosis only. For professional use only.

Applicable scenario:

Laser Cassette Printer (JQ-EMR560P, JQ-EMR560, JQ-EMR830, JQ-EMR840) is applicable for where process tissues as specimens, carried on in tissue embedding cassette, in histopathology, oncology, forensic analysis, biology, etc.

The validity period of the printer: 5 years

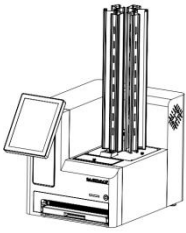
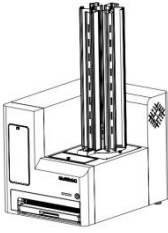
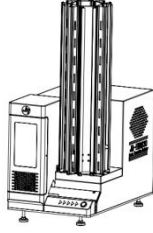
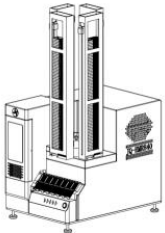
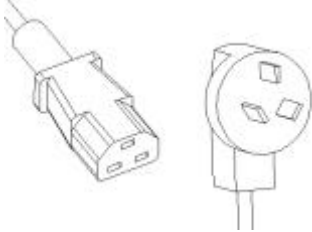
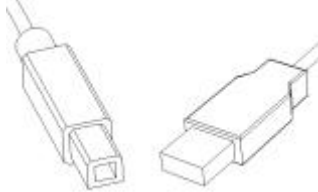
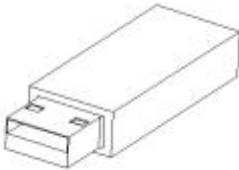

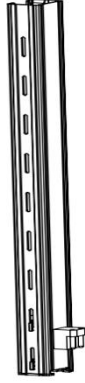

Warranty: 2 year


Contents

I. Components and accessories	3
II. Precaution	4
III. Technical Datasheet	5
IV. Installation	6
V. Load and unload the cassette	7
VI. Printing	9
VII. Regular maintenance	11
VIII. Alarm and exclusion	12

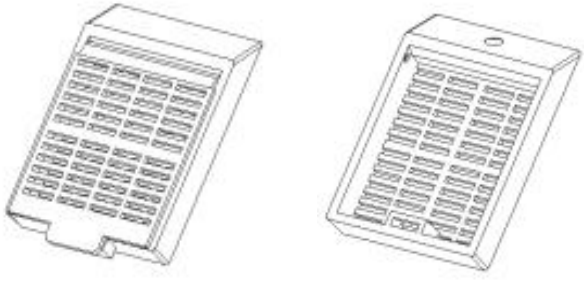
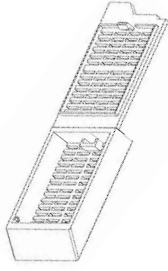
I. Components and accessories

Please confirm you have received all components and accessories. Contact local distributors if any part is missed.

	JQ-EMR560P	JQ-EMR560	JQ-EMR830	JQ-EMR840
Printer				
Power Cord				
USB Cable	NO			
USB stick				
Magazine				

Collector		N/A	N/A
Manual Book	YES		
QA certificate	YES		

Required but not provided.

	JQ-EMR560P	JQ-EMR560	JQ-EMR830	JQ-EMR840
Cassette				
Computer	NO	Yes	Yes	Yes

II. Precaution

- 1, Do not remove the magazine and collector when the printer is working
- 2, Avoid eye or skin exposure to direct or scattered radiation
- 3, When the collector is jammed, please restart the printer or reset it by pressing the green button.
- 4, When the collector is full, the printing will halt automatically. Please remove one or whole printed cassettes to resume.
- 5, The printer should be working in a stable 15-30 Celsius environment temperature.

1. "Caution - use of controls or adjustments or performance of procedures other than those specified herein may result in hazardous radiation exposure."

2. The performance parameters of the laser used in the product are as follows:

Laser wavelength: 355nm±1nm

Laser operating mode: Pulse type

Laser pulse width: 8ns

Laser repetition frequency: 20KHz

Maximum average output power of laser: >1.2W

Class I laser products
 Manufacturer's name:
 Guangdong Jinquan Medical Technology Co., Ltd
 Manufacturer's and Manufacturing address:
 Room2001, Building C, No.2 Gongyesi road, Xitou,
 Songgang Street, Bao'an District, Shenzhen
 Production time:September 2022
 Made in China
 Complies with 21 CFR Chapter 1 , Subchapter J.



III. Technical Datasheet

	JQ-EMR560P	JQ-EMR560	JQ-EMR830	JQ-EMR840
Dimensions(mm) (L x W x H)	560 x 420 x 460	560 x 420 x 460	510 x 300 x 366	490 x 330 x 406
Net Weight(kg)	45	40	30	45
Voltage(V)	90 ~ 240	90 ~ 240	90 ~ 240	90 ~ 240
Frequency(Hz)	50 ~ 60	50 ~ 60	50 ~ 60	50 ~ 60
Input power(W)	350	350	350	350
Laser Power(W)	1	1	1	1
Work Noise(Db)	≤65	≤65	≤65	≤65

Magazine loadability (cassette)	80	80	80	75
Number of magazines	6	6	6	4
Collector loadability (cassette)	150	150	N/A	N/A
Print Speed (second/slide)	3	3	3	3
Resolution(dpi)	500	500	500	500
Model of fuse	F6AL 250V, Fast, 250V, 6A, -20°C~80°C			



The loadability varies for different cassettes; the speed and productivity vary based on the printing contents, and on-demand or continuous printing model.

IV. Installation

1. Connect the printer to the computer, and turn on the power;

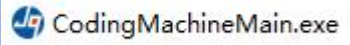


Please make sure the antivirus software is inactivated or turned off. Turn it on to scan after the following installation is done.

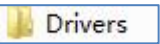
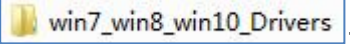
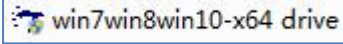
If the above is ignored, the installation will fail. And repeat the installation

steps step 2 to 4 again.

2. Plug the USB stick into the computer, and copy the compressed file to any hard disk of the computer, decompress the file, re-name it, as per your favorite;

3. Find  and send it to the computer desktop, re-name it such as Cassette Printer as per your convenience;

4. Install printer drivers:

→  →  → 

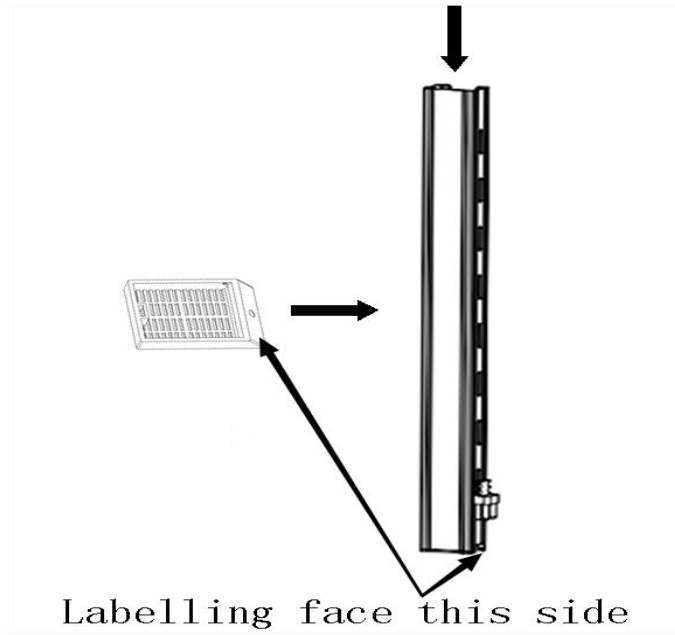
If the printer is connected to the computer successfully, leave it and follow up below.

- JQ-EMR560P: *The software has been installed on the touchpad. Connection to a computer same as above mentioned provides an alternative operation platform.*
- *Here the computer means an independent computer and/or a computer integrated into LIS /HIS system.*

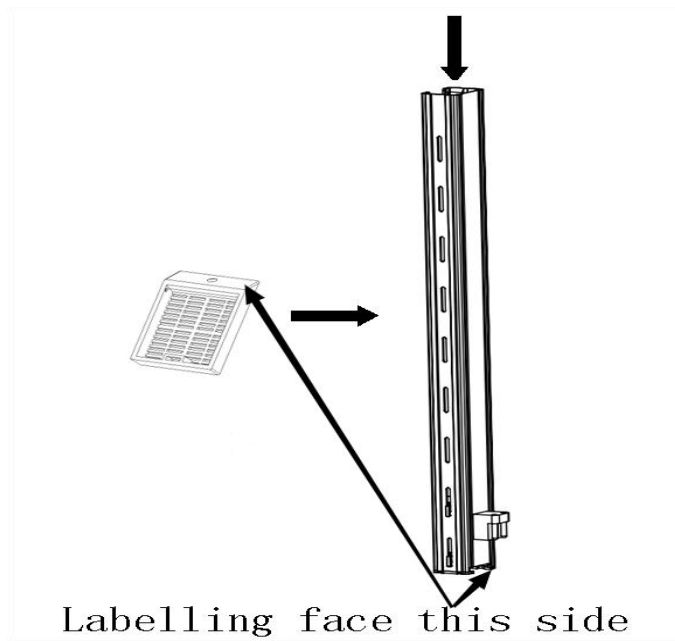
V. Load and unload the cassette

1. Load cassettes into the cartridge:

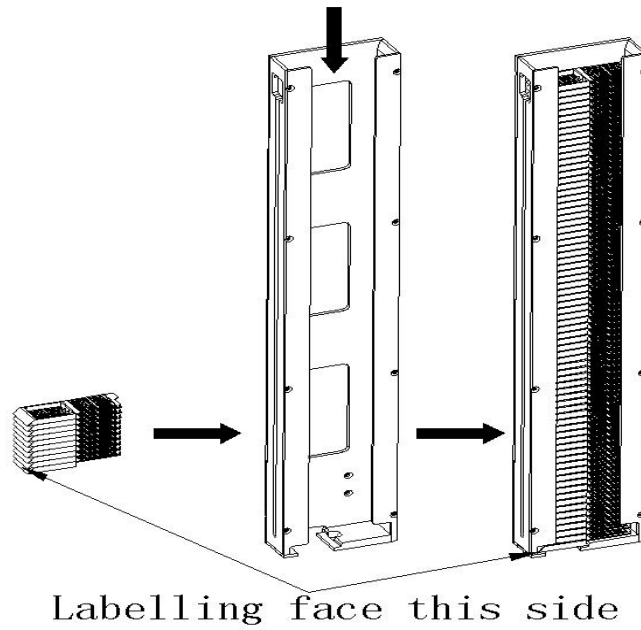
JQ-EMR560 and 560P (the angle's direction is center-facing)



JQ-EMR830 (the angles' direction is clockwise)



JQ-EMR840 (the angles' direction is clockwise)



2. Unload cassette from a collector:

JQ-EMR560 and 560P and 830:

N/A

JQ-EMR840



VI. Printing

1. Back to desktop, and follow up:



admin(Password: jq1223)





→

To add, delete, modify new user(s) by **admin(Password: jq1223)**, user(s) can



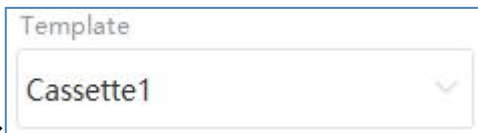
change the password(s) at .

2. Refer to section 4 of article IV (installation), the below panel (in the bottom left corner of the software interface) shows the printer is properly connected to the computer:

199224234248129219

The equipment number is unique to each printer which is the identification number of each printer.

3. Load the template and data (Print background data)



→

- Template(s) have been created as per request beforehand. If not, please contact us or a local distributor.

4. Add the information that needs to be printed on this interface

→

Case No
 Start End

Block No
 Start End

Data01

Data02

Stain

Data04

MAG No

Template

Input PathologyNum manually, and , and .

Congratulations! You have done printing.

MAG NO interpretation:

Magazine NO:

0—randomly load cassettes from available magazines

1—assign the cassette from magazine No. 1

...

MAG No

- 0
- 1
- 2
- 3
- 4
- 5


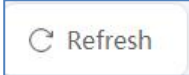
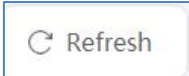
VII. Regular maintenance

- Weekly maintenance



















1. Loading and unloading portals clearance
 2. Laser lens clearance
 3. sensors clearance
- Monthly maintenance
 1. lubricate the motion mechanisms
 2. Internal thoroughly clearance

VIII. Alarm and exclusion

NO.	causation	Alarm (buzz/beam) 2 seconds: L 1 second: S Beaming: F Time gap: - , --	Exclusion
1	Empty cartridge	LLL--F	Load cassette as per section 1, Article V
2	Full collector	LLL--F	Unload cassette as per section 1, Article V
3	Delayed reaction from printer to software	SS-SS-SS-SS-SS--F	1. USB cable connection is loose; or 2. reset; or 3. Turn off and restart the

	instruction		printer; or 4.Restart the software.
4	Halt without alarm	N/A	1. Cartridge hopper closed loosely; or 2.Collector positioned loosely; or 3. Software’s order to halt unnoticed.
<p> Below alarm needs to turn off the printer to avoid electric shock.</p> <p>Once the jam is cleared, click  to resume printing after pressing the reset button of the printer.</p> <p>If the problem cannot be solved, turn off the printer and contact the local distributor for after-sales service.</p>			
5	Mechanical jam by cassettes	SS-SS-SS-SS-SS--F	1. Open the observation door; 2. Remove foreign objects; 3. Press the reset button; 4. click  to resumes working.

Symbol Interpretation

Symbol	Introductions	Symbol	Introductions
	CE Symbol		In Vitro Diagnostic equipment
	Manufacturer Name Address		Name and Address of European Union Representative
	Manufacture Date		Use until year & month (Expiration date)
	Serial Number		Please read and observe the guidance provided in this manual
	Warnings and Precautions		Unique device identifier
	Keep dry		Keep away from sunlight
	Importer		Distributor
	Model number		Country of manufacture
	Unique device identifier		Switch



Guangdong Jinqun Medical Technology Co.,Ltd.

Room2001, Building C, No.2 Gongyesi road, Xitou, Songgang street, Bao'an

District, Shenzhen, Guangdong, China



SUNGO Europe B.V.

Olympisch Stadion 24, 1076DE Amsterdam, Netherlands